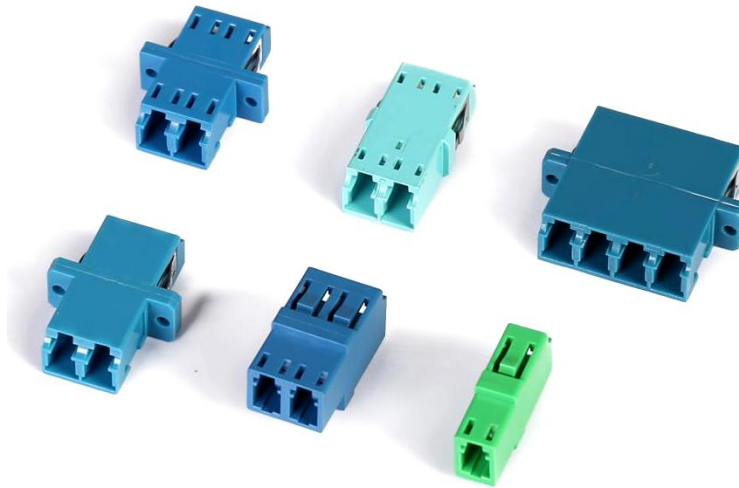


LC Fiber Optic adapter



Features:

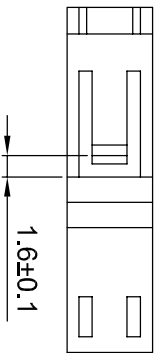
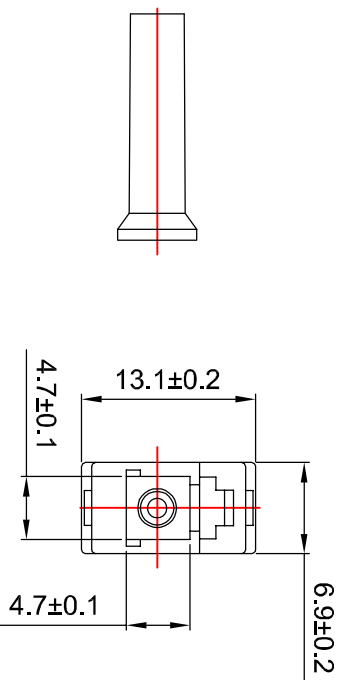
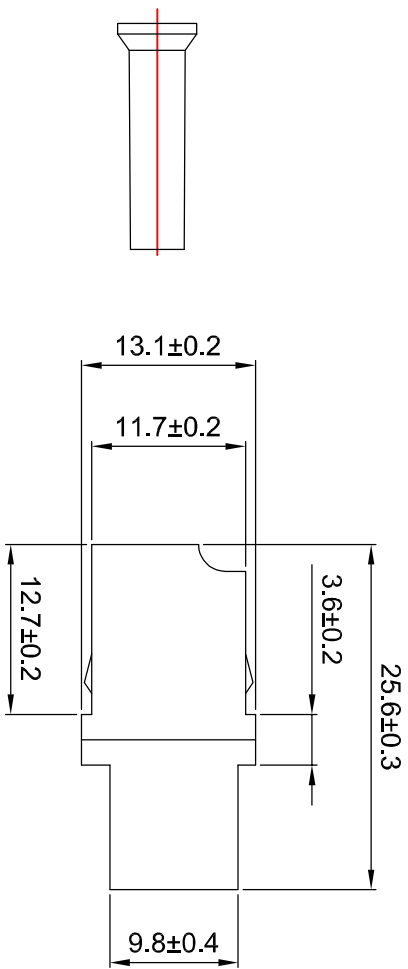
- High size precision.
- Good repeatability.
- Good changeability.
- Good temperature stabilization.
- High wearable.

Application:

- CATVSystem
- Telecommunications
- OpticalNetworks
- Testing/MeasurementInstruments FiberTotheHome

Parameter:


Description:LC Adapter			
Item NO.	Test Item	Unit	Standard & Requirement
1	Insertion Loss (dB)	dB	≤0.20dB
2	Repetitiveness (dB)	dB	≤0.10dB
3	Interchangeability (dB)	dB	≤0.20dB
4	Plug times	times	>500
5	Tensile strength	G	200~600G
6	Operating temperature	Celsius	-40---+85 Celsius
7	Storage temperature	Celsius	-40---+110 Celsius
8	Humidity	Celsius	95%RH (Non-Packaging)

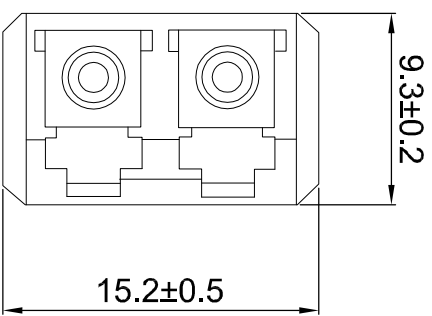
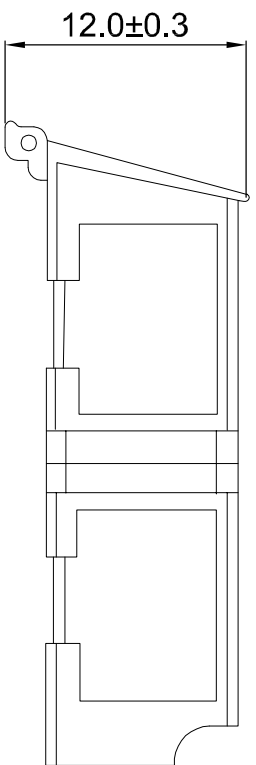
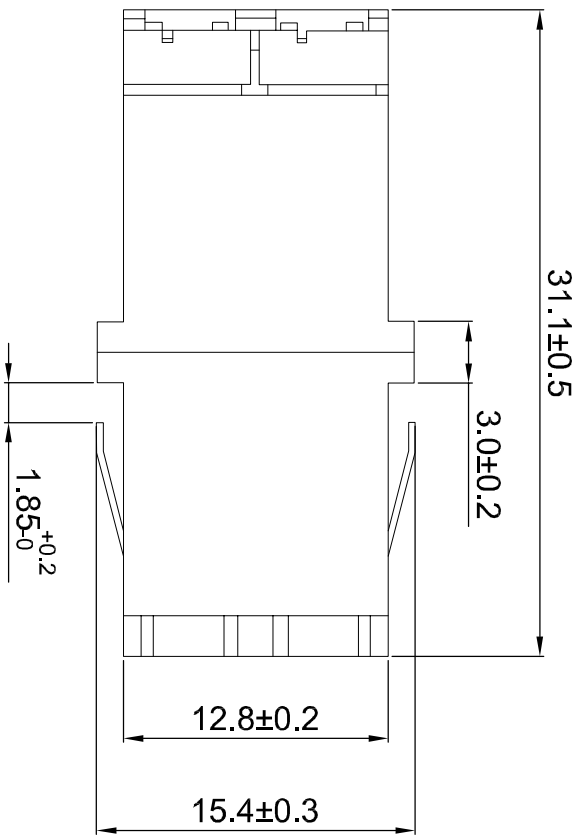


NOTE:

1. Insertion loss Max :0.2dB
2. Insertion loss Typical values:0.1dB
3. LC sleeve material:ZrO₂
4. Operation temperature:-40°C to +85°C
5. LC connector according to IEC 61754-20
6. Durability: 1000 matings
7. Tensile strength:200~600G

RoHS
Compliant


				SHEN ZHEN DYS FIBER OPTIC TECHNOLOGY CO.LTD			
Designed by:	Yong Yu	Audit:	Qihua Cheng				
Date:	2017-11-21	Approve:	Yong Huang				
Unit:	mm	Sheet:	A4				
Product Name:	LC Simplex adaptor						
Drawing NO:	DYS-SOP-ED-180312-01-V1						

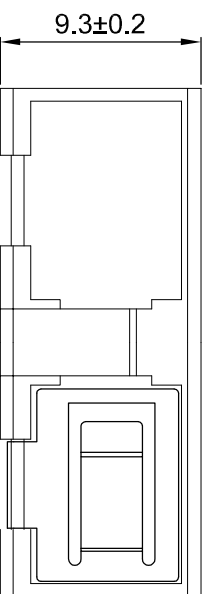
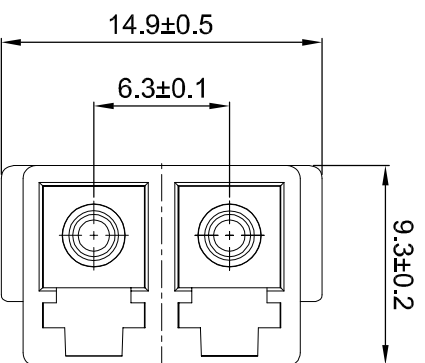
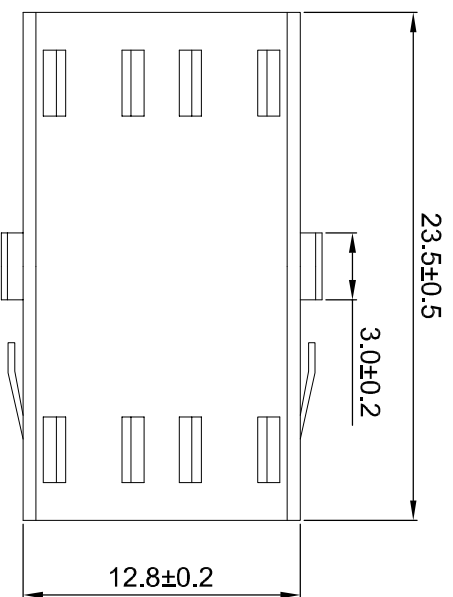


NOTE:

- 1.Insertion loss Max :0.2dB
- 2.Insertion loss Typical values:0.1dB
- 3.LC sleeve material:ZrO₂
- 4.Operation temperature:-40°C to +85°C
- 5.LC connector according to IEC 61754-20
- 6.Durability:1000 matings
- 7.Tensile strength:200~600G

**RoHS
Compliant**


 SHEN ZHEN DYS FIBER OPTIC TECHNOLOGY CO.LTD			
Designed by:	Yong Yu	Audit:	Qinua Cheng
Date:	2017-10-26	Approve:	Yong Huang
Unit:	mm	Sheet:	A4
Product Name:	LC DX Shutter adapter		
Drawing NO:	DYS-SOP-ED-171026-10-V1		

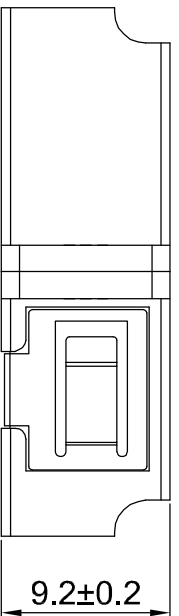
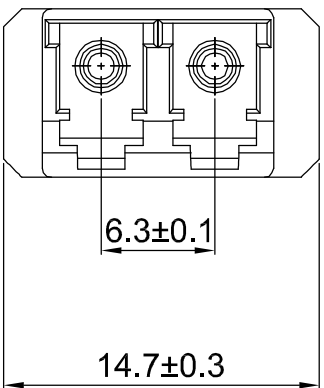
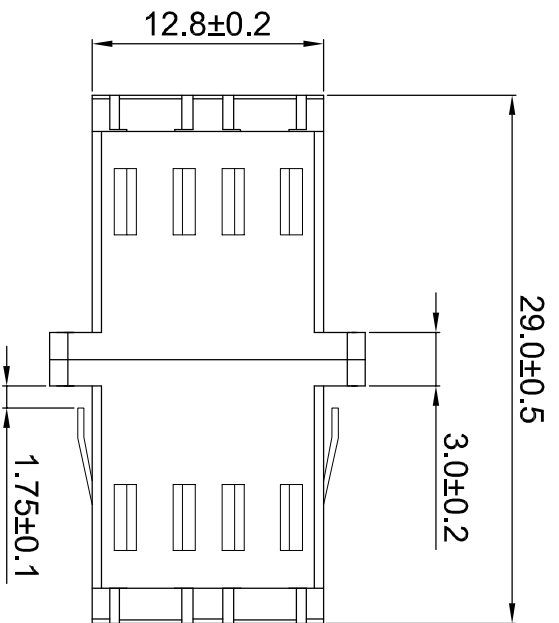


NOTE:

- 1.Insertion loss Max :0.2dB
- 2.Insertion loss Typical values:0.1dB
- 3.LC sleeve material:ZrO₂
- 4.Operation temperature:-40°C to +85°C
- 5.LC connector according to IEC 61754-20
- 6.Durability:1000 matings
- 7.Tensile strength:200~600G

**RoHS
Compliant**


 SHEN ZHEN DYS FIBER OPTIC TECHNOLOGY CO.LTD			
Designed by:	Yong Yu	Audit:	Qihua Cheng
Date:	2017-10-27	Approve:	Yong Huang
Unit:	mm	Sheet:	A4
Product Name:	LC DX SC size headless adapter		
Drawing NO:	DYS-SOP-ED-171027-10-V1		

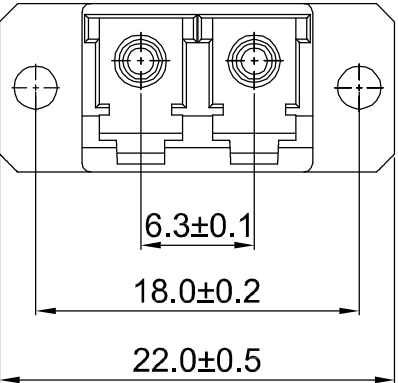
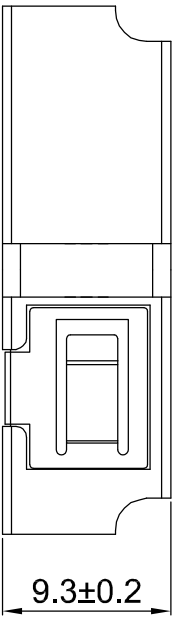
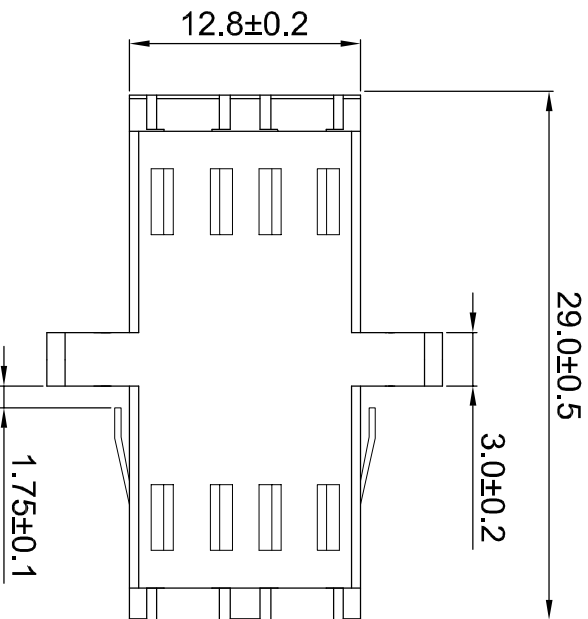


NOTE:

1. Insertion loss Max :0.2dB
2. Insertion loss Typical values:0.1dB
3. LC sleeve material:ZrO₂
4. Operation temperature:-40°C to +85°C
5. LC connector according to IEC 61754-20
6. Durability: 1000 matings
7. Tensile strength:200~600G


**ROHS
Compliant**

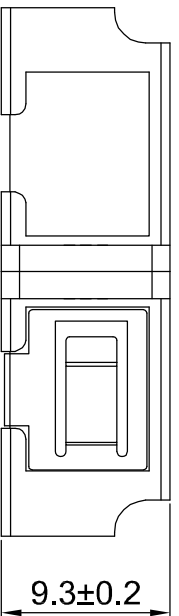
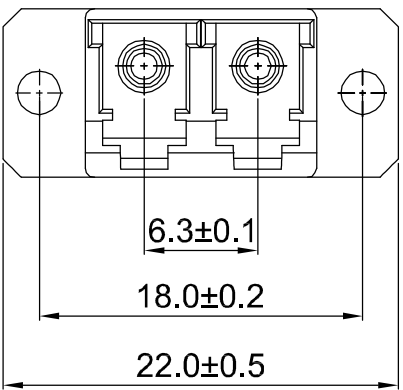
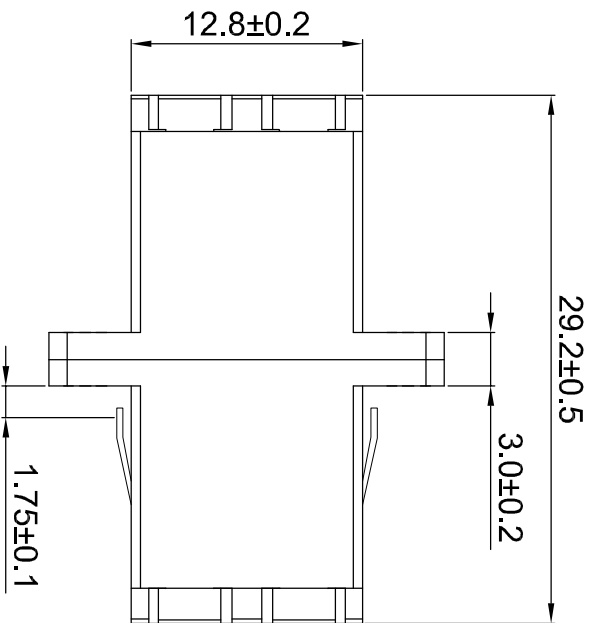
 SHEN ZHEN DYS FIBER OPTIC TECHNOLOGY CO.LTD			
Designed by:	Yong Yu	Audit:	Qihua Cheng
Date:	2018-06-25	Approve:	Yong Huang
Unit:	mm	Sheet:	A4
Product Name:	LC DX Earless adapter(Split type)		
Drawing NO:	DYS-SOP-ED-180625-01-V1		



- NOTE:
1. Insertion loss Max :0.2dB
 2. Insertion loss Typical values:0.1dB
 3. LC sleeve material :ZrO₂
 4. Operation temperature:-40°C to +85°C
 5. LC connector according to IEC 61754-20
 6. Durability:1000 matings
 7. Tensile strength:200~600G

RoHS
Compliant

 SHEN ZHEN DYS FIBER OPTIC TECHNOLOGY CO.LTD			
Designed by:	Yong Yu	Audit:	Qihua Cheng
Date:	2017-10-27	Approve:	Yong Huang
Unit:	mm	Sheet:	A4
Product Name:	LC DX adapter		
Drawing NO:	DYS-SOP-ED-171027-08-V1		



NOTE:

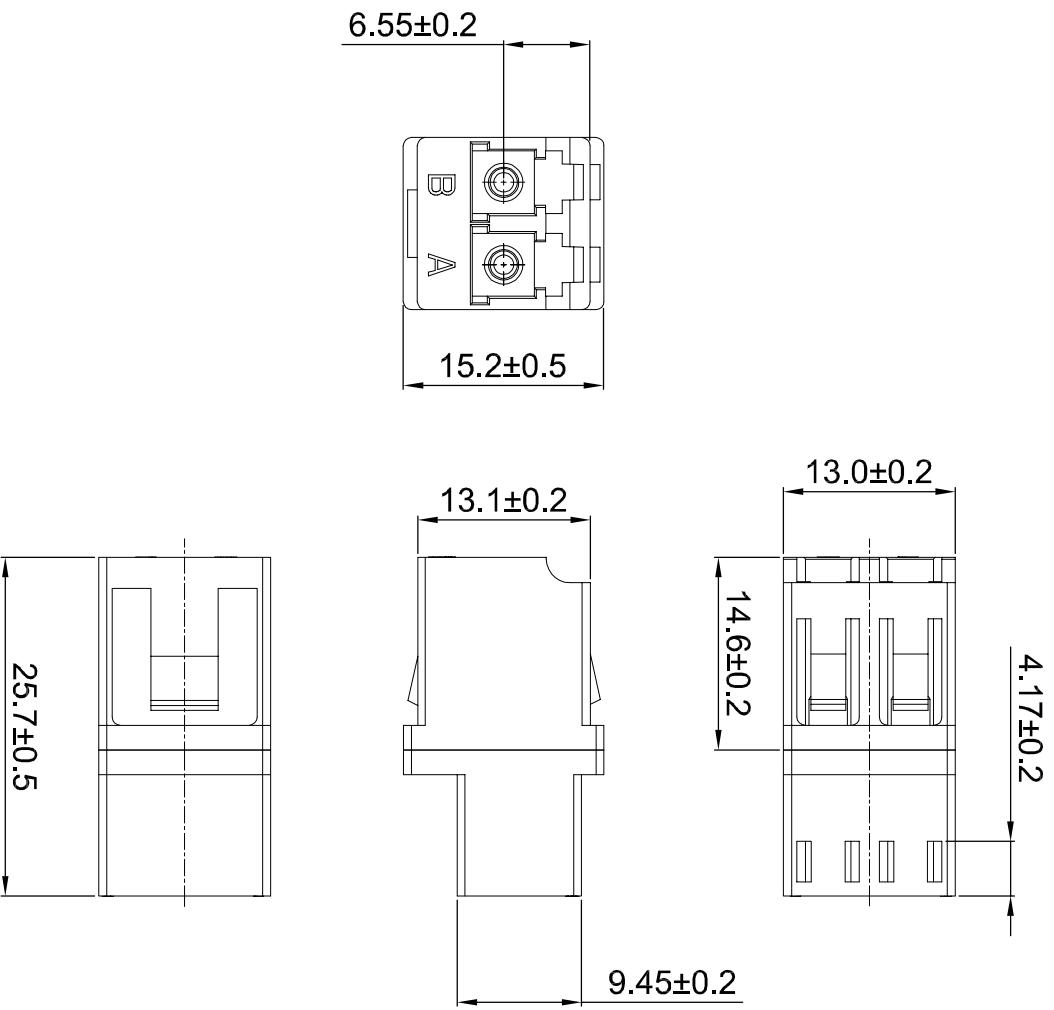
1. Insertion loss Max :0.2dB
2. Insertion loss Typical values:0.1dB
3. LC sleeve material:ZrO₂
4. Operation temperature:-40°C to +85°C
5. LC connector according to IEC 61754-20
6. Durability: 1000 matings
7. Tensile strength:200~600G

**ROHS
Compliant**



SHEN ZHEN DYS FIBER OPTIC TECHNOLOGY CO.,LTD


Designed by:	Yong Yu	Audit:	Qihua Cheng
Date:	2017-10-27	Approve:	Yong Huang
Unit:	mm	Sheet:	A4
Product Name:	LC DX adapter(Split type)		
Drawing NO:	DYS-SOP-ED-171027-12-V1		

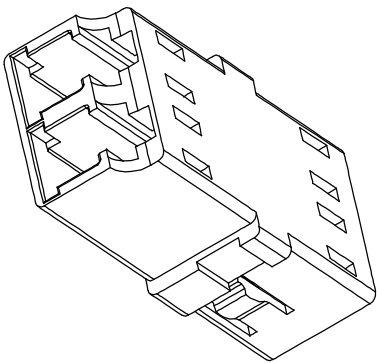
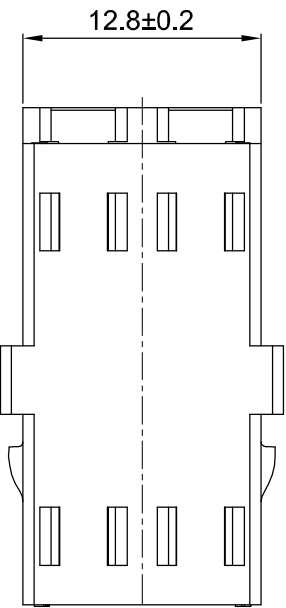
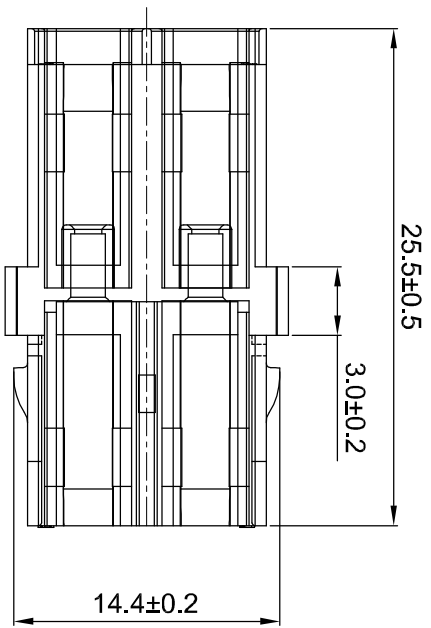
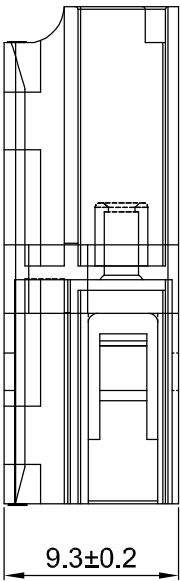
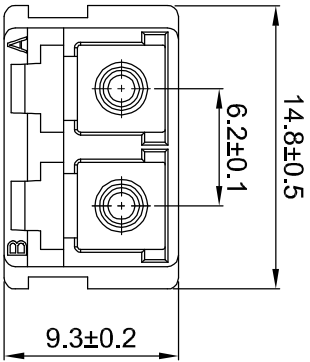


NOTE:

- 1.Insertion loss Max :0.2dB
- 2.Insertion loss Typical values:0.1dB
- 3.LC sleeve material:ZrO₂
- 4.Operation temperature:-40°C to +85°C
- 5.LC connector according to IEC 61754-20
- 6.Durability:1000 matings
- 7.Tensile strength:200~600G

**ROHS
Compliant**


 SHEN ZHEN DYS FIBER OPTIC TECHNOLOGY CO.LTD			
Designed by:	Yong Yu	Audit:	Qihua Cheng
Date:	2017-10-23	Approve:	Yong Huang
Unit:	mm	Sheet:	A4
Product Name:	LC duplex adaptor (RJ type)		
Drawing NO:	DYS-SOP-ED-171023-03-V1		

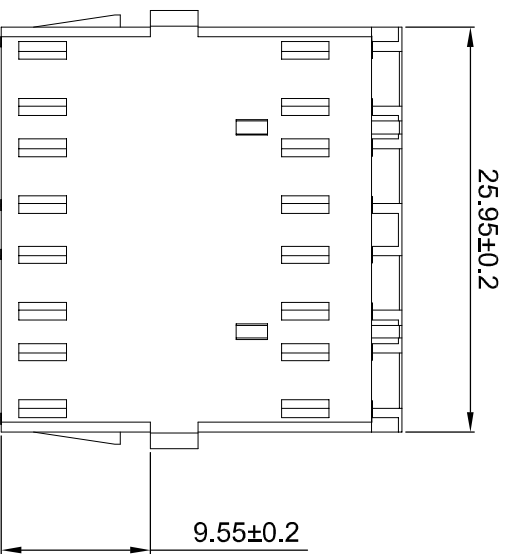
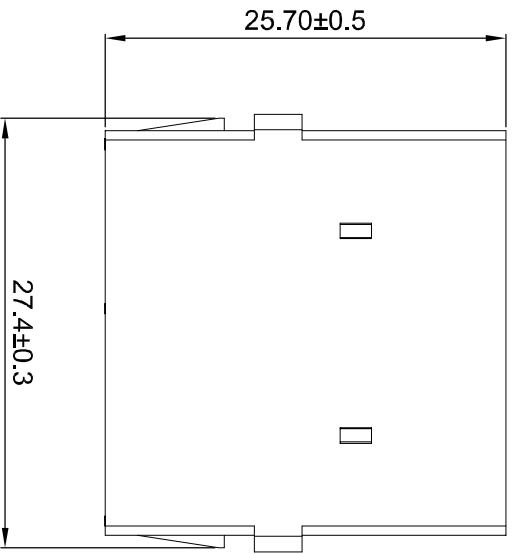
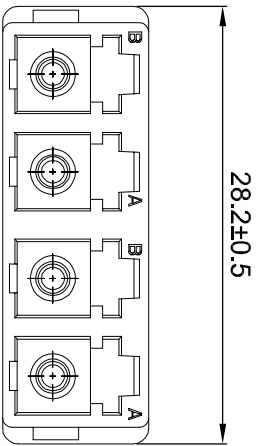


NOTE:

1. Insertion loss Max :0.2dB
2. Insertion loss Typical values:0.1dB
3. LC sleeve material:ZrO₂
4. Operation temperature:-40 °C to +85 °C
5. LC connector according to IEC 61754-20
6. Durability:1000 matings
7. Tensile strength:200~600G


**ROHS
Compliant**

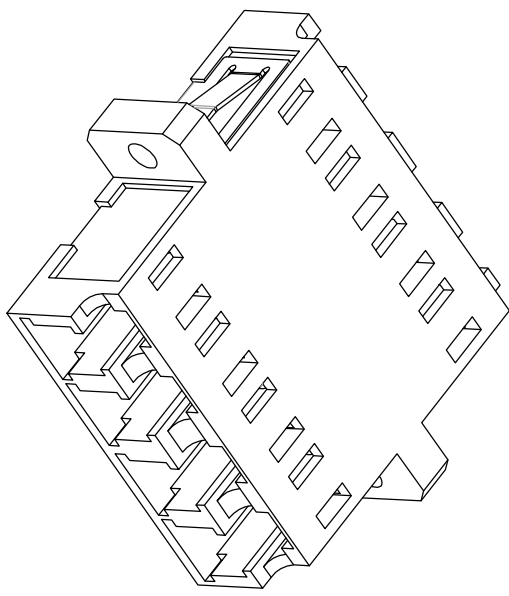
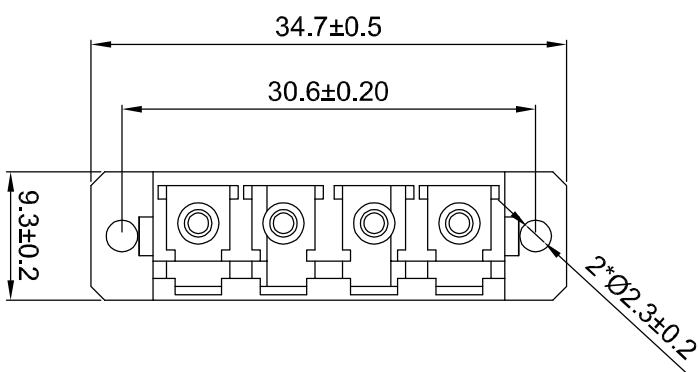
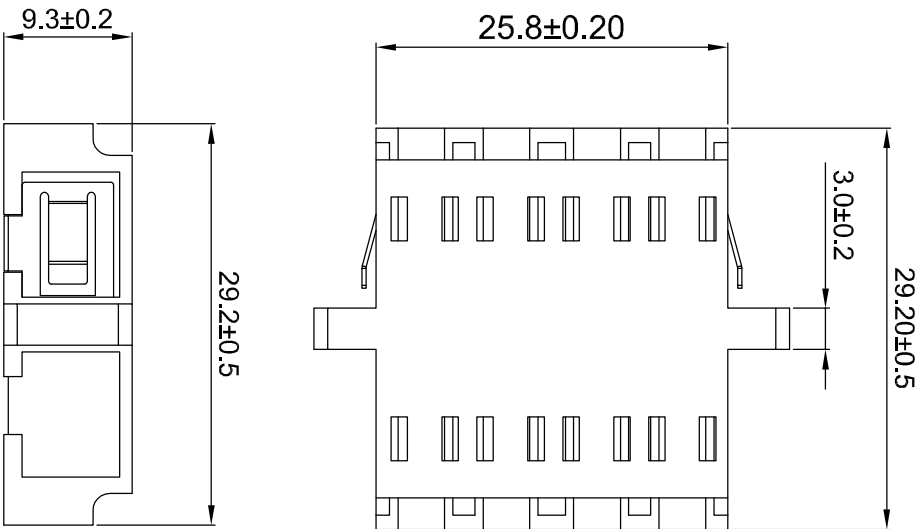
		SHEN ZHEN DYS FIBER OPTIC TECHNOLOGY COL.LTD	
Designed by:	Yong Yu	Audit:	Qihua Cheng
Date:	2017-10-27	Approve:	Yong Huang
Unit:	mm	Sheet:	A4
Product Name:	LC double-linked SC size headless adapter		
Drawing NO:	DYS-SOP-ED-171027-09-V1		



RoHS
Compliant

- NOTE:**
1. Insertion loss Max :0.2dB
 2. Insertion loss Typical values:0.1dB
 3. LC sleeve material:ZrO₂
 4. Operation temperature:-40°C to +85°C
 5. LC connector according to IEC 61754-20
 6. Durability:1000 matings
 7. Tensile strength:200--600G


				SHEN ZHEN DYS FIBER OPTIC TECHNOLOGY CO.LTD			
Designed by:	Yong Yu	Audit:	Qihua Cheng				
Date:	2018-09-18	Approve:	Yong Huang				
Unit:	mm	Sheet:	A4				
Product Name:	LC 4core Earless Adapter						
Drawing NO:	DYS-SOP-ED-180918-03-V1						

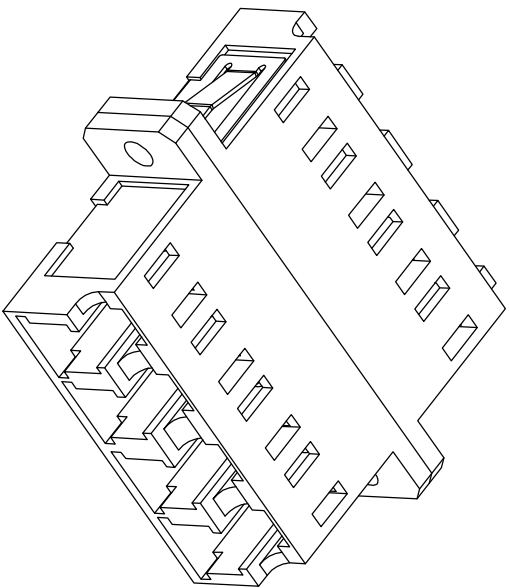
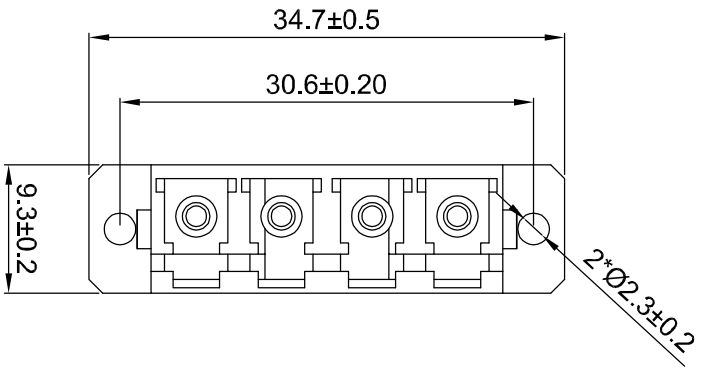
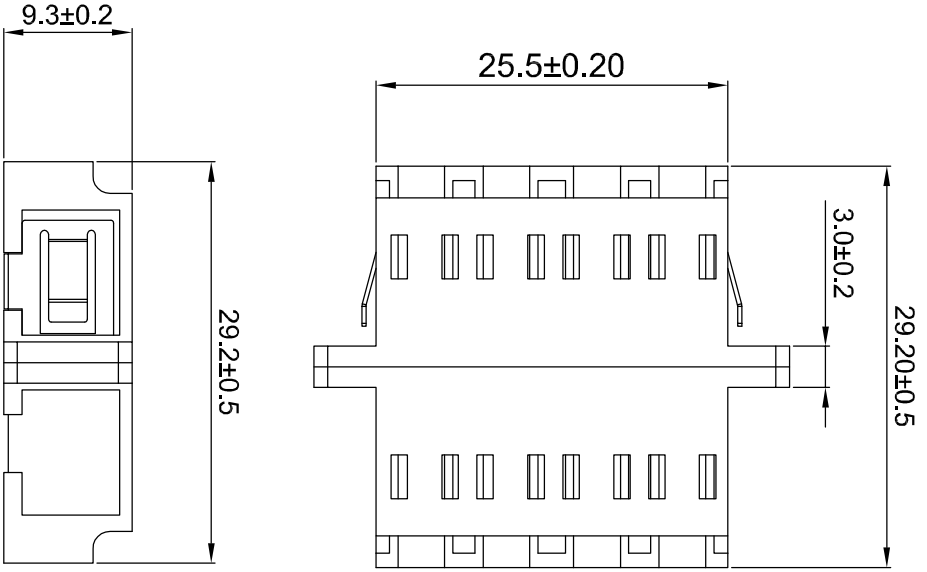


NOTE:

1. Insertion loss Max :0.2dB
2. Insertion loss Typical values:0.1dB
3. LC sleeve material:ZrO₂
4. Operation temperature:-40°C to +85°C
5. LC connector according to IEC 61754-20
6. Durability: 1000 matings
7. Tensile strength:200~600G

ROHS
Compliant


		SHEN ZHEN DYS FIBER OPTIC TECHNOLOGY CO.LTD	
Designed by:	Yong Yu	Audit:	Qihua Cheng
Date:	2017-10-27	Approve:	Yong Huang
Unit:	mm	Sheet:	A4
Product Name:	LC 4core flange adaptor		
Drawing NO:	DYS-SOP-ED-171027-08-V1		

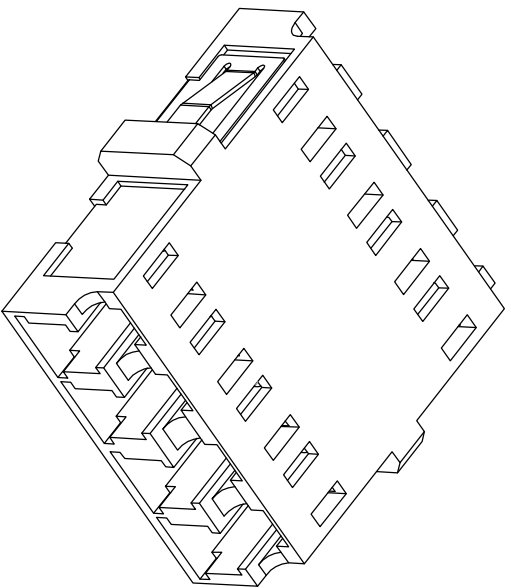
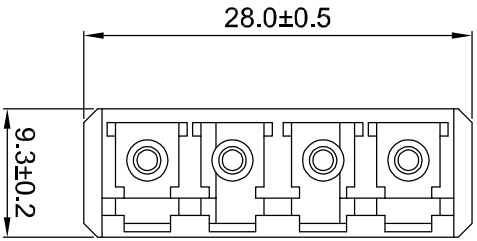
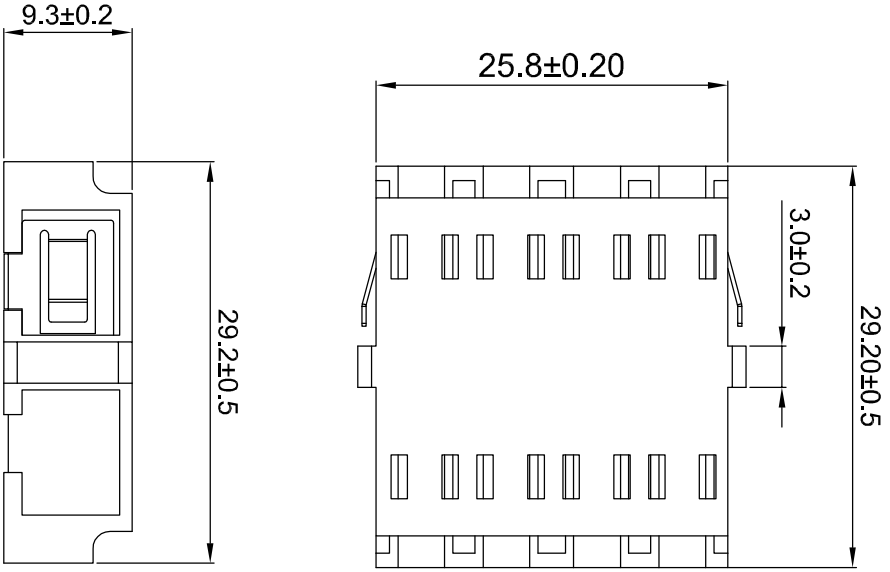


NOTE:

1. Insertion loss Max :0.2dB
2. Insertion loss Typical values:0.1dB
3. LC sleeve material:ZrO₂
4. Operation temperature:-40°C to +85°C
5. LC connector according to IEC 61754-20
6. Durability: 1000 matings
7. Tensile strength:200~600G

**ROHS
Compliant**


		SHEN ZHEN DYS FIBER OPTIC TECHNOLOGY CO.LTD	
Designed by:	Yong Yu	Audit:	Qihua Cheng
Date:	2017-10-27	Approve:	Yong Huang
Unit:	mm	Sheet:	A4
Product Name:	LC 4core flange adaptor(Split type)		
Drawing NO:	DYS-SOP-ED-171121-01-V1		

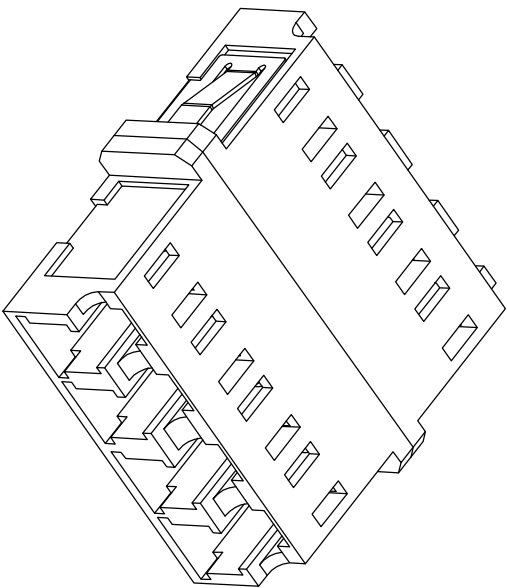
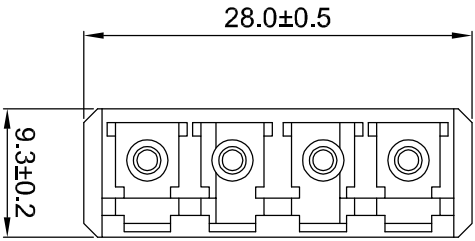
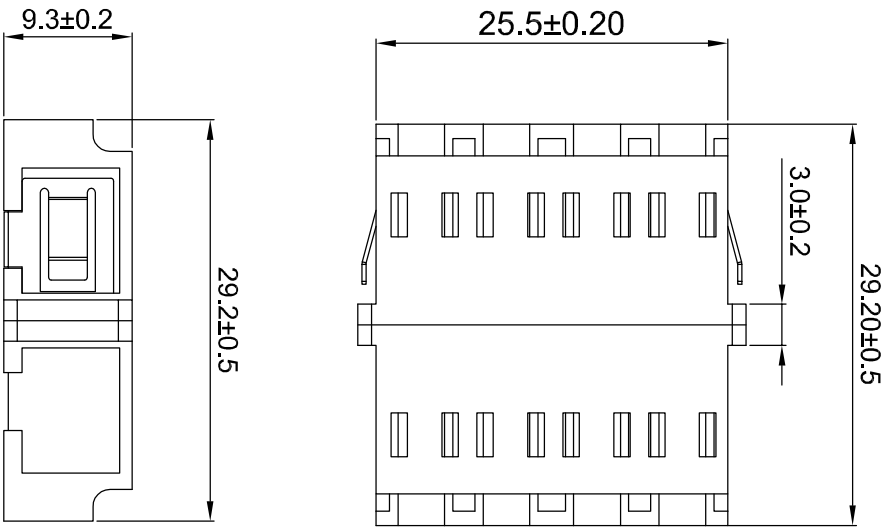


NOTE:

1. Insertion loss Max :0.2dB
2. Insertion loss Typical values:0.1dB
3. LC sleeve material:ZrO₂
4. Operation temperature:-40°C to +85°C
5. LC connector according to IEC 61754-20
6. Durability: 1000 matings
7. Tensile strength:200~600G

**ROHS
Compliant**


		SHEN ZHEN DYS FIBER OPTIC TECHNOLOGY CO.LTD	
Designed by:	Yong Yu	Audit:	Qihua Cheng
Date:	2017-10-27	Approve:	Yong Huang
Unit:	mm	Sheet:	A4
Product Name:	LC 4core Earless Adapter		
Drawing NO:	DYS-SOP-ED-171027-11-V1		



NOTE:

1. Insertion loss Max :0.2dB
2. Insertion loss Typical values:0.1dB
3. LC sleeve material:ZrO₂
4. Operation temperature:-40°C to +85°C
5. LC connector according to IEC 61754-20
6. Durability: 1000 matings
7. Tensile strength:200~600G

**ROHS
Compliant**

		SHEN ZHEN DYS FIBER OPTIC TECHNOLOGY CO.LTD	
Designed by:	Yong Yu	Audit:	Qihua Cheng
Date:	2017-10-27	Approve:	Yong Huang
Unit:	mm	Sheet:	A4
Product Name:	LC 4core Earless Adapter (Split type)		
Drawing NO:	DYS-SOP-ED-171121-02-V1		